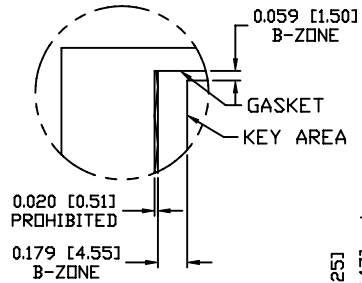


SENSOR SPECIFICATION

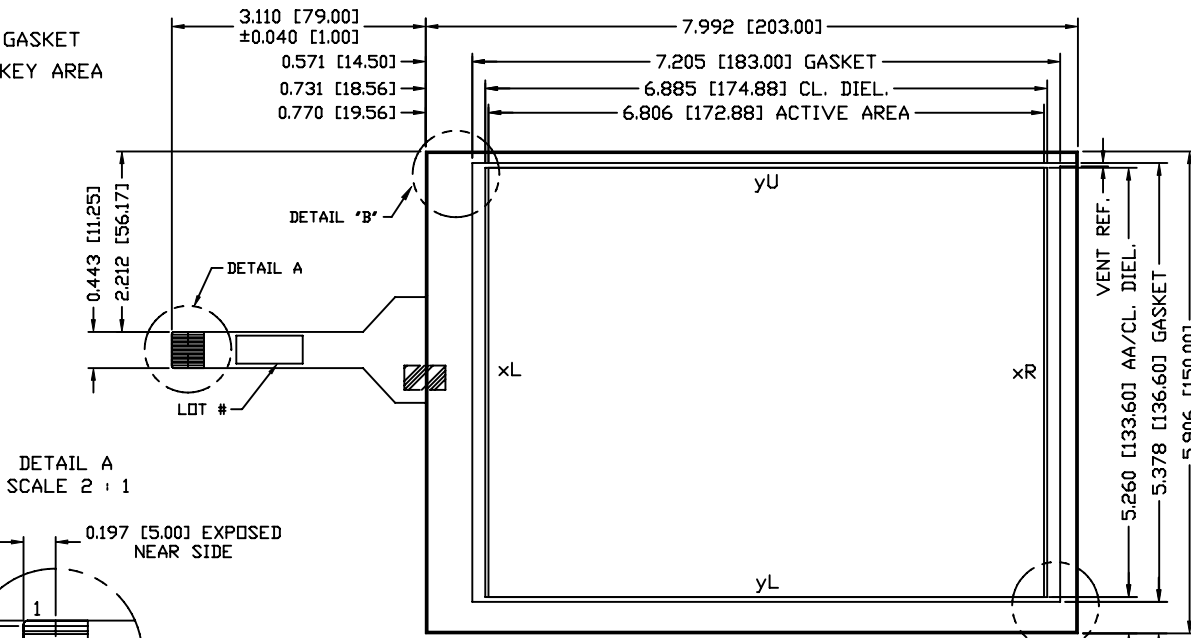
LINEARITY	ACTUATION FORCE	OPTICAL PER.
±1.5% AVE 3% MAX. DEV.	0.10 N (10 g) Min., 0.79 N (80 g) Max. STYLUS: R0.8 TIP, FINGER: R3.0 TIP	79% TRANSPARENCY PER JIS K7361-1

REVISIONS		
LTR	DESCRIPTION	DATE
0	ECD # 280416 MAGDLA CONVERTED	5/27/08
A		
B		
C		
D		
E		
F		

DETAIL B
SCALE 2 : 1



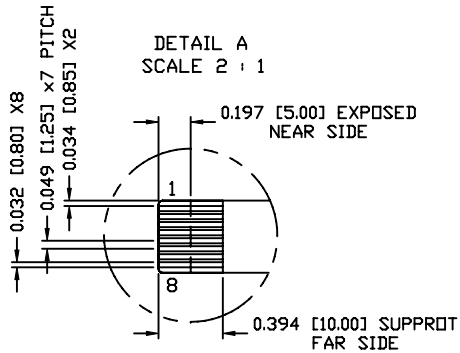
0.020 [0.51]
PROHIBITED
0.179 [4.55]
B-ZONE



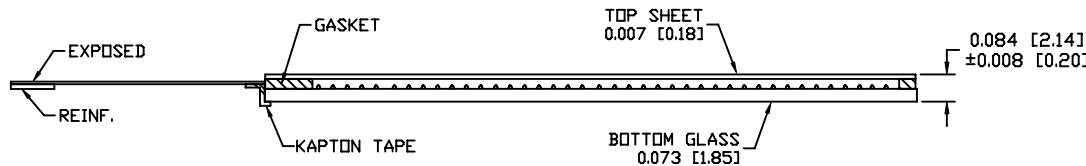
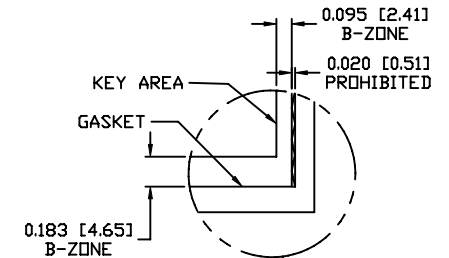
GENERAL NOTES:

1. TOP FILM OFFSET FROM BOTTOM GLASS 0.020 [0.50].
2. MAX. VOLTAGE & CURRENT: 5 VDC, LESS THEN 1mA AT CONTACT POINT FROM TOP LAYER TO BOTTOM LAYER.
3. OPERATION TEMPERATURE: 0° TO 50°C
4. OPERATION HUMIDITY: < 40°C 20% TO 95% RH NO CONDENSATION.
5. STORAGE TEMPERATURE: -10°C TO 60°C
6. FFC BEND R > 2.0MM NO SHARP CREASE
7. SURFACE HARDNESS: 3H AS PER JIS K 5400
8. COSMETIC INSPECTION: GRADE 3x
9. TERMINAL RESISTANCE:
5YU-8YL = 240-710Ω
3XL-4XR = 250-630Ω

DETAIL A
SCALE 2 : 1



DETAIL C
SCALE 2 : 1



PINOUT

1	XR REF.
2	XL REF.
3	XL
4	XR
5	YU
6	YU REF.
7	YL REF.
8	YL

CAD DRAWING	DEC. TOLERANCES: .XXX = ±0.020 [.XX] = ±[0.51] ANGULAR TOL. = ±1° FRAC. TOL. XX = ±1/16	DESIGNER: RPESINA 5/27/08 CHKD: DESIGN ENG. LHRUIZ 5/27/08 VIEW POINT:	GUNZE USA Gunze Electronics USA Corporation 2113 Wells Branch Parkway Austin, Texas 78728
NOTICE <small>THIS DRAWING EMBODIES A PROPRIETARY DESIGN ORIGINATED BY GUNZE ELECTRONICS USA CORPORATION AND SHALL NOT BE DISCLOSED, USED, OR DUPLICATED FOR PROCUREMENT OR MANUFACTURING PURPOSES, UNLESS SPECIFICALLY AUTHORIZED BY GUNZE ELECTRONICS USA CORPORATION. ALL PATENT RIGHTS RELATING HERETO ARE EXPRESSLY RESERVED FOR GUNZE ELECTRONICS USA CORPORATION. This notice shall be marked on any reproduction hereof in whole or part.</small>	DIM CODE: INCHES [MILLIMETERS] MATERIAL SPEC. RoHS COMPLIANT	TITLE: SENSOR, 8.6D 8-WIRE PART NO. 100-1670 CUSTOMER ID: GUNZE USA	
		FILE: PLS: 5/27/08	